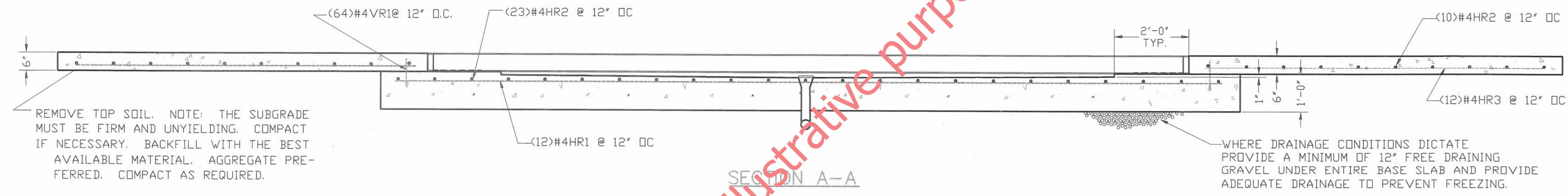
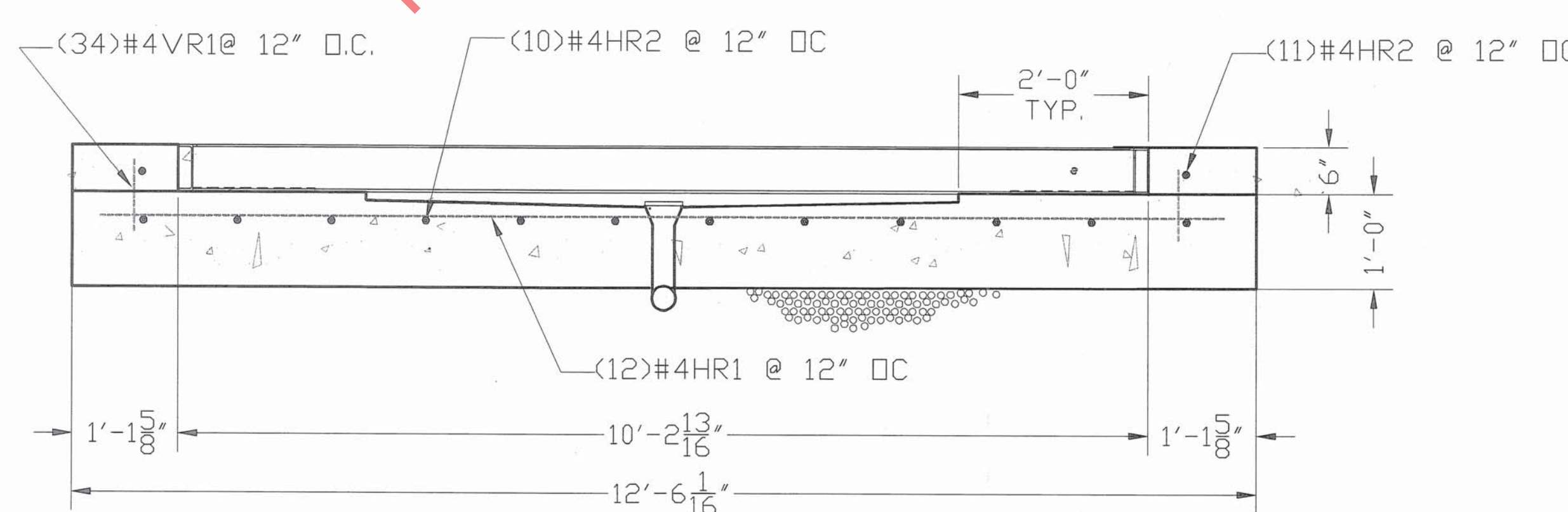


PIT WALLS PLAN
CENTER OVER SPREAD FOOTING



SECTION A-A



SECTION C-C

GENERAL NOTES

- ALL FOREIGN DEBRIS AND MATERIAL SHALL BE COMPLETELY REMOVED PRIOR TO COMPACTION OF SOIL.
- OPTIMUM MOISTURE OF SOIL PRIOR TO COMPACTION.
- 90% COMPACTION OF SOIL PRIOR TO CONSTRUCTION.
- STRUCTURAL STEEL SHALL CONFORM TO A.S.T.M. A36.
- CONCRETE SHALL BE PROPORTIONED TO PROVIDE A MINIMUM 28 DAY COMPRESSIVE STRENGTH OF 4,000 P.S.I.
- REINFORCING STEEL SHALL BE DEFORMED BARS CONFORMING TO A.S.T.M. A615, GRADE 60. (COLD BEND ONLY)
- NO TRAFFIC WILL BE PERMITTED OVER PIT UNTIL CONCRETE HAS REACHED 2500 P.S.I. COMPRESSIVE STRENGTH.
- IN AREAS OF THE COUNTRY WHERE THERE IS SEVERE FREEZING, PROVIDE A MINIMUM OF 12" FREE DRAINING GRANULAR MATERIAL TO PREVENT FROST HEAVE, OR EXTEND THE FOOTING AREAS OF THE FOUNDATION DOWN TO THE LOCAL FROST LINE
- N.I.S.T. H-44 REQUIREMENTS AND LOCAL WEIGHTS AND MEASURES REGULATIONS MAY REQUIRE INSTALLATION PARAMETERS SOMEWHAT DIFFERENT THAN ILLUSTRATED ON THIS PLAN. IN ORDER TO INSURE COMPLIANCE, CONSULT THE LOCAL FAIRBANKS SERVICE OFFICE PRIOR TO INSTALLATION.
- REMOVE SCALE ASSEMBLY FROM PIT FRAME.
- PIT FRAME IS A ONE PIECE WELDED UNIT. (NO FIELD WELDING REQ'D.)
- ONCE THE PIT FRAME IS LEVEL (+/- 1/8") IN BOTH DIRECTIONS AND SECURED, FILL CONCRETE IN AROUND THE OUTSIDE OF THE PIT FRAME TO FORM THE SCALE PIT.
- REFER TO MANUAL FOR ALL INSTALLATION AND OPERATION INSTRUCTIONS.

FOUNDATION CONCRETE REQUIREMENTS
f_c=4000 P.S.I.

AREA	QUANTITIES
BASE SLAB	11 CU. YD.
APPROACHES & SIDE WALLS	12 CU. YD.
TOTAL	23 CU. YD.
EXCAVATION FOR FOUNDATION APPROX. 13 CU. YD.	

FOUNDATION REINFORCING BAR SCHEDULE
ASTM A615 GRADE 60

MARK NO.	REQ'D.	SIZE	LENGTH	WT.
HR1	12	#4	22'-2"	178
HR2	43	#4	12'-0"	345
HR3	24	#4	9'-8"	155
HR4	4	#4	2'-0"	5
VR1	64	#4	0'-9"	32
TOTAL WT:				715

REINFORCING STEEL NOTES:

- REINFORCING STEEL SHALL BE FREE OF ALL MUD, DEBRIS, CEMENT GROUT, LOOSE RUST, GREASE, AND OIL.
- TACK WELDING OF BARS IS PROHIBITED.

THIS PLAN TO BE USED FOR ILLUSTRATIVE PURPOSES ONLY

LET	BY	DATE	REVISION
			MADE FROM DB3306-SP

<p>FAIRBANKS SCALES Meridian, Mississippi</p> <p>PALS, AXLE SCALE SDX SERIES 20' X 10' 120K CAP. 80K CLC</p>		date	12/09/08
		sheet	1 of 1
<p>The material and information contained herein is confidential and is the property of Fairbanks Scales and is not to be used, disclosed, copied, transferred or reproduced without the prior written permission of Fairbanks.</p>		scale	N/A
<p>Unless otherwise specified dimensions are in inches. Tolerances: Fractions: 1/16" Angles: 1/32" 3 place decimals 2 place decimals Hole diameter: 11/32"</p>		drawn by	LB
<p>MATERIAL FINISH</p>		traced by	SWALLOW PIT PLAN
		checked by	
		approved by	D105914-SP